

REVISIONS			
REV.	DESCRIPTION	DATE	APPROVED
A	INITIAL RELEASE	28-07-2021	GUTTADAURO

1. CONSTRUCTION:

CONDUCTOR: 24 AWG SOLID BARE COPPER, DIA. (±0.005mm) 0.50

INSULATION: HIGH DENSITY POLYETHYLENE
 AVERAGE THICKNESS (mm) 0.205
 MIN. POINT THICKNESS (mm) 0.189
 INSULATION DIA.(±0.01mm) 0.91
 TWISTED PAIR DIA.(±0.02mm) 1.82

PAIRS: COLOR CODED SINGLES TWISTED INTO PAIRS

CABLE: (4) TWISTED PAIRS TWISTED TOGETHER TO FORM A CABLE CORE
 (4PAIRS CAT5E UTP CABLE SPECS)

JACKET: CMR RATED PVC
 AVERAGE THICKNESS (mm) 0.50
 MIN. POINT THICKNESS (mm) 0.45
 OUTER DIA. (±0.1mm) 5.10
 OVERALL CABLE DIAMETER RIP CORD (NYLON)

2. PHYSICAL PROPERTIES:
 TEMPERATURE RATING MAX. 75°C
 TEMPERATURE RATING MIN. -20°C

3. AGENCY APPROVALS:
 ETL LISTED

4. APPLICATION:
 MEETS TIA568 C.2 CHANNEL REQUIREMENTS AT 53 METERS. 6.5 METERS OF PATCH CABLE WITH A 90 METERS PERMANENT LINK (96.5 METER CHANNEL) OR 10 METERS OF PATCH CABLE WITH A 84 METER PERMANENT LINK (94 METER CHANNEL)

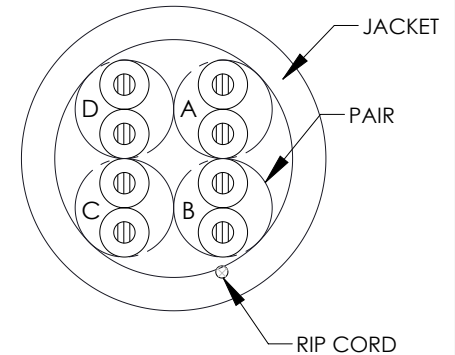
5. ELECTRICAL CHARACTERISTICS: (FOR 100m OF CABLE)
 PAIR-TO-GROUND CAPACITANCE UNBALANCE ≤330 pF/100m
 MAX. CONDUCTOR DC RESISTANCE 20°C 93.8Ω/km
 IMPEDANCE 100±15Ω 1-250 MHz
 RETURN LOSS
 1 ≤ f ≤ 10 MHz 20 + 5 LOG (F) dB MIN
 10 ≤ f ≤ 20 MHz 25 dB MIN
 20 ≤ f ≤ 100 MHz 22 - 2 LOG (F/20) dB MIN

6. PACKAGING:
 CABLE SHIPPED ON A PULL BOX (305m / 1000ft)

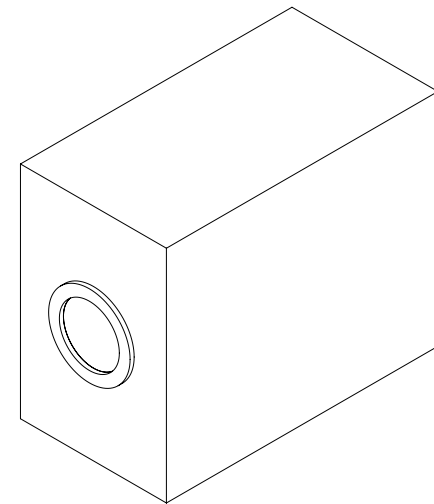
COLOR CODE:

- A. BLUE, WHITE/BLUE
- B. ORANGE, WHITE/ORANGE
- C. GREEN, WHITE/GREEN
- D. BROWN, WHITE/BROWN

CROSS-SECTIONAL VIEW



CONSISTS OF 1000 FEET OF CONTINUOUS LENGTH BULK CABLE



MODEL NUMBER	DESCRIPTION	COLOR
00406455	CAT5e CABLE ETHERNET UTP RISER JACKET	GREEN
00406456	CAT5e CABLE ETHERNET UTP RISER JACKET	GREY
00406457	CAT5e CABLE ETHERNET UTP RISER JACKET	RED
00406458	CAT5e CABLE ETHERNET UTP RISER JACKET	YELLOW

THESE COMMODITIES, TECHNOLOGY OR SOFTWARE WERE EXPORTED FROM THE UNITED STATES IN ACCORDANCE WITH THE EXPORT ADMINISTRATION REGULATIONS. DIVERSION CONTRARY TO U.S. LAW PROHIBITED.

UNLESS OTHERWISE SPECIFIED LEADING DIMENSIONS ARE INCHES DIMENSIONS IN [] ARE MILLIMETERS

TOLERANCES:
 X = ± 2 [5.08] FRACTIONS ± 1/32
 .XX = ± 0.2 [.51] ANGLES ± 1°
 .XXX = ± 0.005 [.13]

CABLE LENGTH (L) TOLERANCES:
 L ≤ 12 [305] = +1 [25] / -0
 12 [305] < L ≤ 60 [1524] = +2 [51] / -0
 60 [1524] < L ≤ 120 [3048] = +4 [102] / -0
 120 [3048] < L ≤ 300 [7620] = +6 [152] / -0
 300 [7620] < L = +5%L / -0

ALL DIMENSIONS SHOWN ARE FOR REFERENCE ONLY.



an INFINIT® brand
 859 E. Park Avenue, Libertyville, IL 60048
 Phone: 1.800.505.1363
 Website: www.navepoint.com
 E-mail: sales@navepoint.com

THIRD-ANGLE PROJECTION

THE INFORMATION AND DESIGN IN THIS DOCUMENT IS THE PROPERTY OF TRANSECTOR, INC. ALL RIGHTS RESERVED.

SHEET 1 OF 1
 SCALE N/A

SIZE	CAGE CODE	DRAWN BY	ITEM NO.	REV
A	7UTA6	MVEERAPPAN	00406455	A