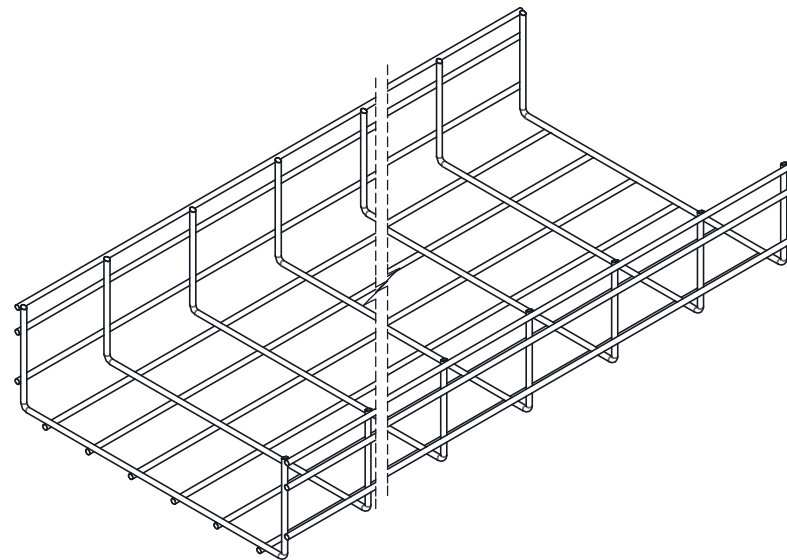
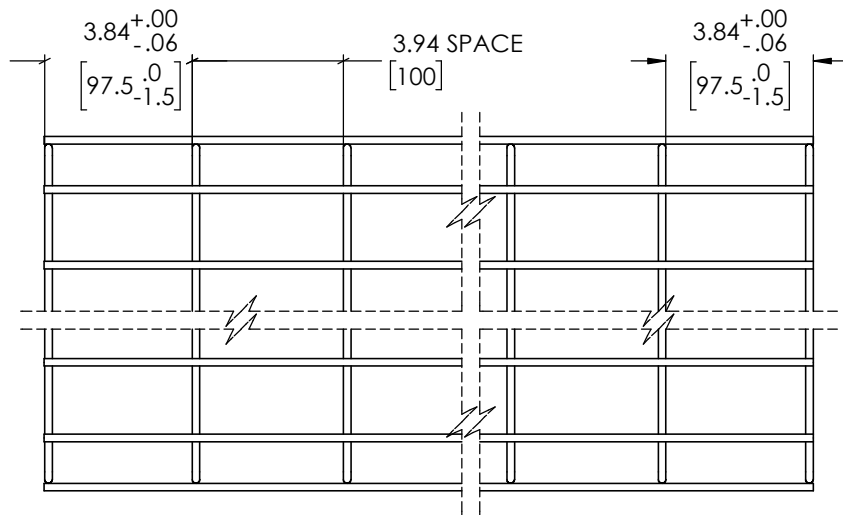
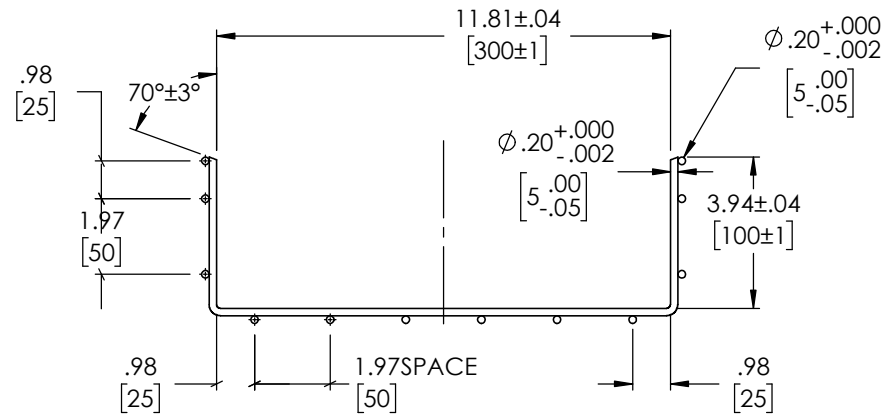
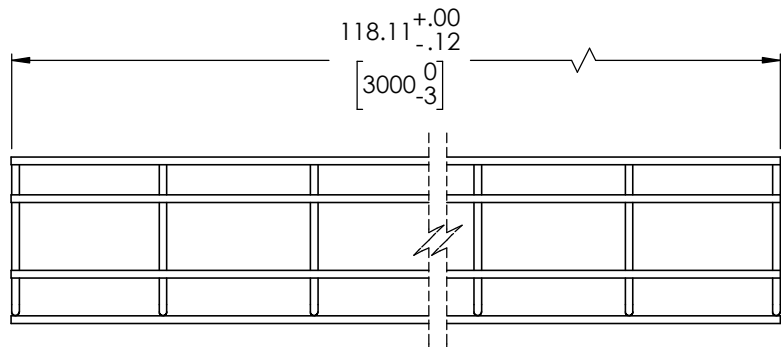


REVISIONS			
REV.	DESCRIPTION	DATE	APPROVED
A	INITIAL RELEASE	07/01/21	VCHAN



THESE COMMODITIES, TECHNOLOGY OR SOFTWARE WERE EXPORTED FROM THE UNITED STATES IN ACCORDANCE WITH THE EXPORT ADMINISTRATION REGULATIONS. DIVERSION CONTRARY TO U.S. LAW PROHIBITED.

UNLESS OTHERWISE SPECIFIED  
LEADING DIMENSIONS ARE INCHES  
DIMENSIONS IN [ ] ARE MILLIMETERS

**TOLERANCES:**  
 X = ± 2 [5.08] FRACTIONS ± 1/32  
 .XX = ± 0.02 [.51] ANGLES ± 1°  
 .XXX = ± 0.005 [.13]

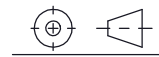
**CABLE LENGTH (L) TOLERANCES:**  
 L ≤ 12 [305] = +1 [25] / -0  
 12 [305] < L ≤ 60 [1524] = +2 [51] / -0  
 60 [1524] < L ≤ 120 [3048] = +4 [102] / -0  
 120 [3048] < L ≤ 300 [7620] = +6 [152] / -0  
 300 [7620] < L = +5%L / -0

ALL DIMENSIONS SHOWN  
ARE FOR REFERENCE ONLY.



**an INFINIT@ brand**  
 859 E. Park Avenue, Libertyville, IL 60048  
 Phone: 1.800.505.1363  
 Website: www.navepoint.com  
 E-mail: sales@navepoint.com

THIRD-ANGLE PROJECTION



THE INFORMATION AND DESIGN IN THIS DOCUMENT IS THE PROPERTY OF TRANSECTOR, INC. ALL RIGHTS RESERVED.

SHEET 1 OF 1

SCALE N/A

SIZE A	CAGE CODE 7UTA6	DRAWN BY BZHANG	ITEM NO. 00406493	REV A
-----------	--------------------	--------------------	----------------------	----------