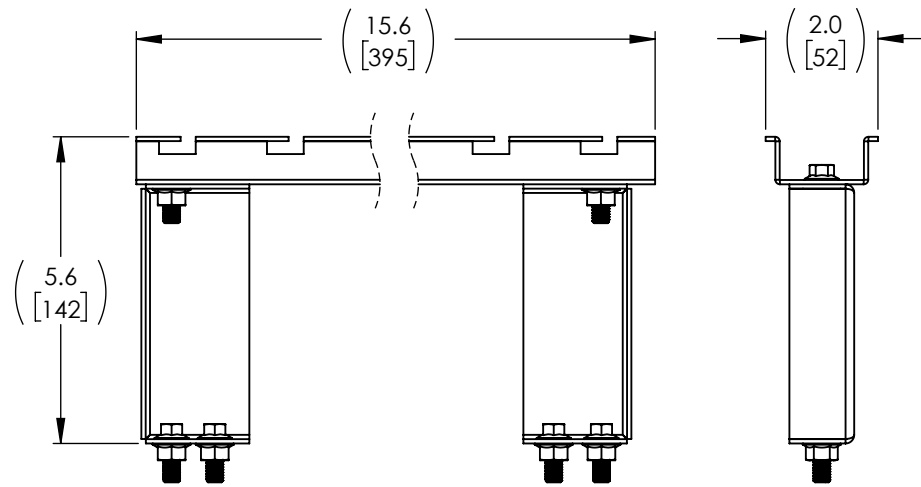
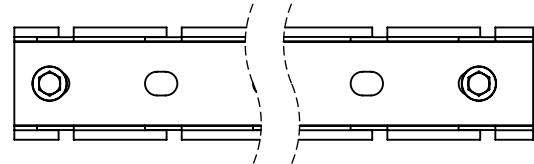
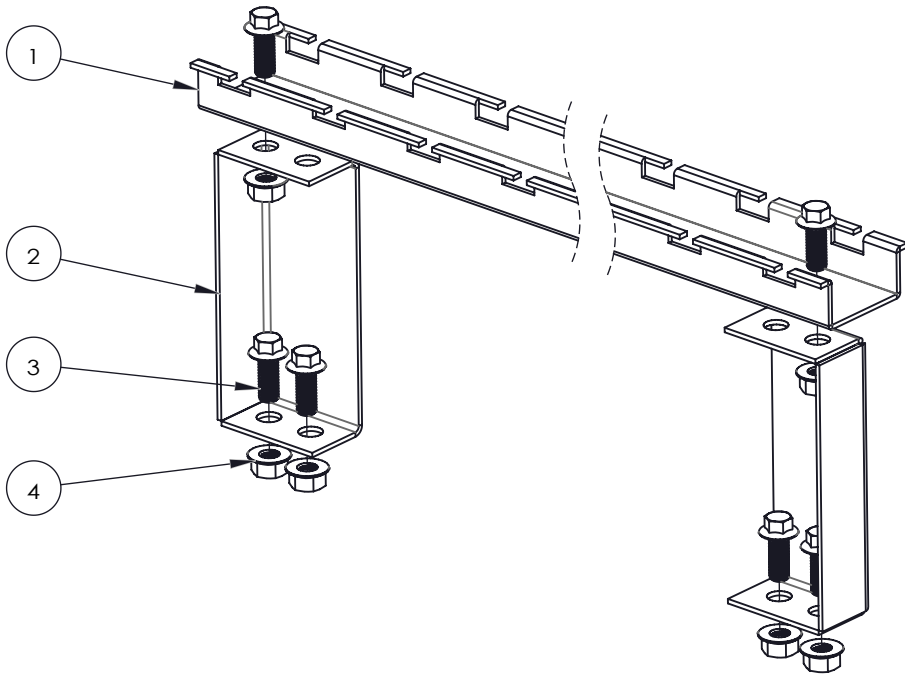


REVISIONS			
REV.	DESCRIPTION	DATE	APPROVED
A	NEW RELEASE	07/05/21	V.CHAN



ITEM NO.	DESCRIPTION	QTY.
1	16" CEILING RAIL	1
2	CABINET BRACKET	2
3	M8 X 20mm BOLT	6
4	M8 NUT	6

THESE COMMODITIES, TECHNOLOGY OR SOFTWARE WERE EXPORTED FROM THE UNITED STATES IN ACCORDANCE WITH THE EXPORT ADMINISTRATION REGULATIONS. DIVERSION CONTRARY TO U.S. LAW PROHIBITED.

UNLESS OTHERWISE SPECIFIED
LEADING DIMENSIONS ARE INCHES
DIMENSIONS IN [] ARE MILLIMETERS

TOLERANCES:
 X = ± 2 [5.08] FRACTIONS ± 1/32
 .XX = ± 0.02 [.51] ANGLES ± 1°
 .XXX = ± 0.005 [.13]

CABLE LENGTH (L) TOLERANCES:
 L ≤ 12 [305] = +1 [25] / -0
 12 [305] < L ≤ 60 [1524] = +2 [51] / -0
 60 [1524] < L ≤ 120 [3048] = +4 [102] / -0
 120 [3048] < L ≤ 300 [7620] = +6 [152] / -0
 300 [7620] < L = +5%L / -0

ALL DIMENSIONS SHOWN
ARE FOR REFERENCE ONLY.

NavePoint
an INFINIT® brand

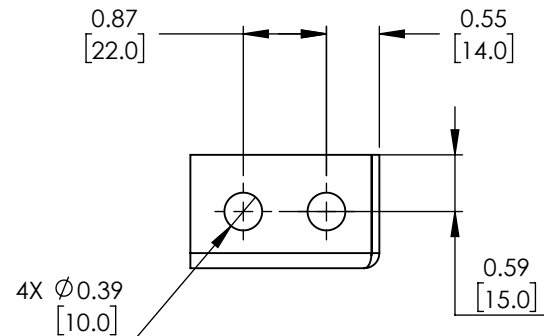
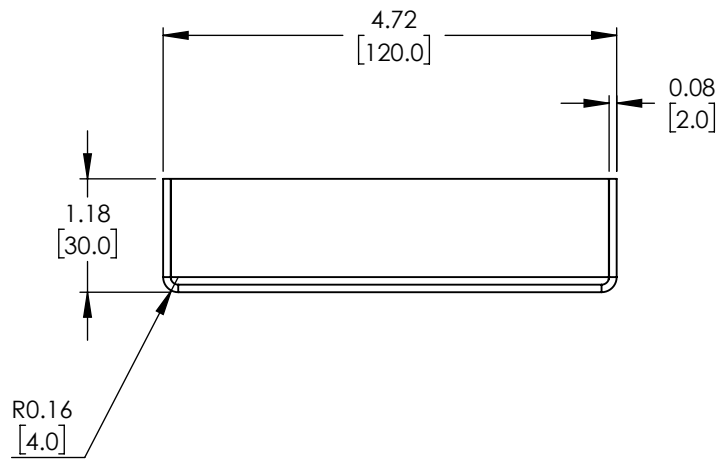
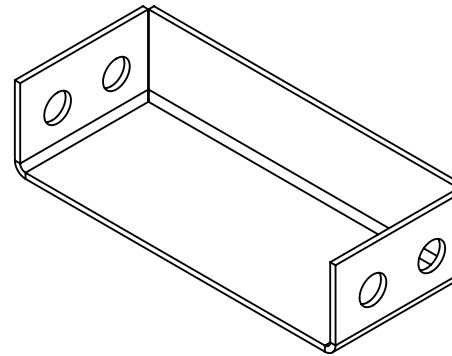
859 E. Park Avenue, Libertyville, IL 60048
Phone: 1.800.505.1363
Website: www.navepoint.com
E-mail: sales@navepoint.com

SIZE A	CAGE CODE 7UTA6	DRAWN BY SLI	ITEM NO. 00406502	REV A
-----------	--------------------	-----------------	----------------------	----------

THIRD-ANGLE PROJECTION

THE INFORMATION AND DESIGN IN THIS DOCUMENT IS THE PROPERTY OF TRANSECTOR, INC. ALL RIGHTS RESERVED.

SHEET 1 OF 3
SCALE N/A



THESE COMMODITIES, TECHNOLOGY OR SOFTWARE WERE EXPORTED FROM THE UNITED STATES IN ACCORDANCE WITH THE EXPORT ADMINISTRATION REGULATIONS. DIVERSION CONTRARY TO U.S. LAW PROHIBITED.

UNLESS OTHERWISE SPECIFIED
LEADING DIMENSIONS ARE INCHES
DIMENSIONS IN [] ARE MILLIMETERS

TOLERANCES:

X = ± 2 [5.08]	FRACTIONS
.XX = ± 0.02 [.51]	± 1/32
.XXX = ± 0.005 [.13]	ANGLES ± 1°

CABLE LENGTH (L) TOLERANCES:

L ≤ 12 [305]	= +1 [25] / -0
12 [305] < L ≤ 60 [1524]	= +2 [51] / -0
60 [1524] < L ≤ 120 [3048]	= +4 [102] / -0
120 [3048] < L ≤ 300 [7620]	= +6 [152] / -0
300 [7620] < L	= +5%L / -0

ALL DIMENSIONS SHOWN
ARE FOR REFERENCE ONLY.

NavePoint
an INFINIT[®] brand

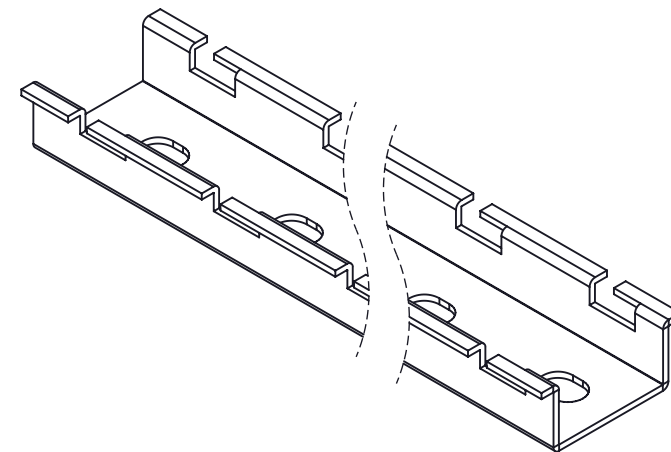
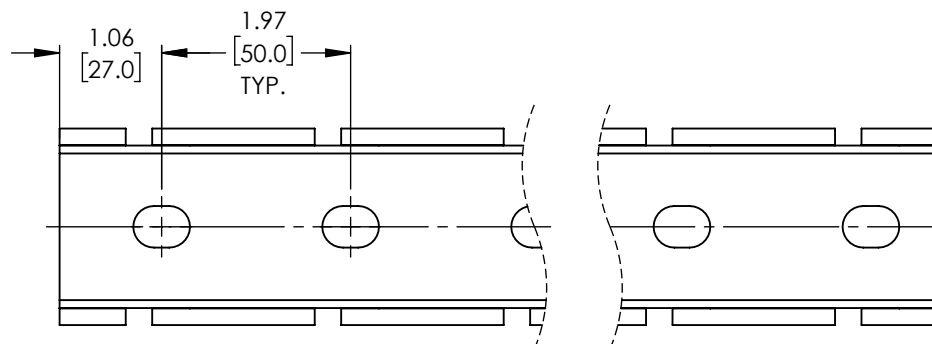
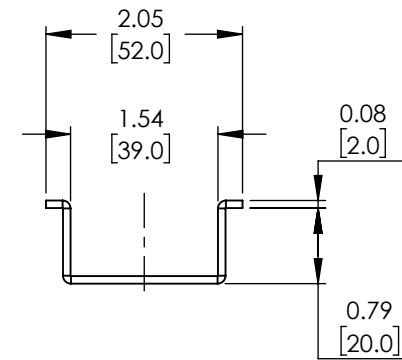
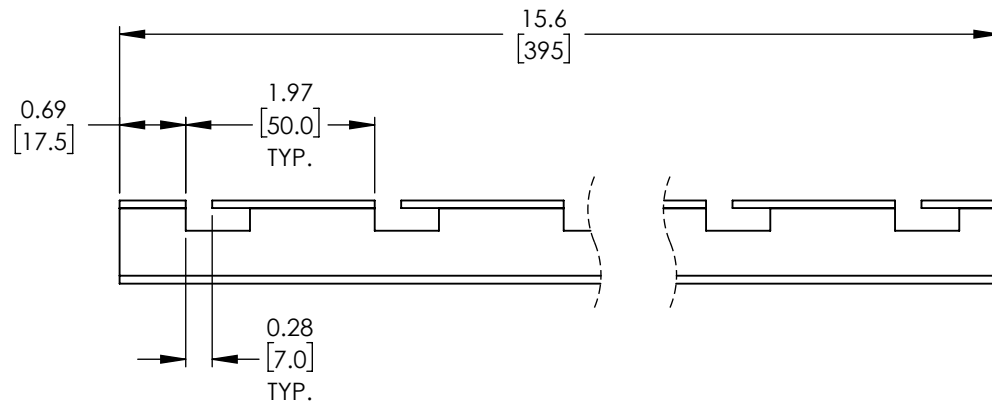
859 E. Park Avenue, Libertyville, IL 60048
Phone: 1.800.505.1363
Website: www.navepoint.com
E-mail: sales@navepoint.com

SIZE	CAGE CODE	DRAWN BY	ITEM NO.	REV
A	7UTA6	SLI	00406502	A

THIRD-ANGLE PROJECTION

THE INFORMATION AND
DESIGN IN THIS DOCUMENT
IS THE PROPERTY OF
TRANSECTOR, INC
ALL RIGHTS RESERVED.

SHEET	OF	3
SCALE	N/A	



THESE COMMODITIES, TECHNOLOGY OR SOFTWARE WERE EXPORTED FROM THE UNITED STATES IN ACCORDANCE WITH THE EXPORT ADMINISTRATION REGULATIONS. DIVERSION CONTRARY TO U.S. LAW PROHIBITED.

UNLESS OTHERWISE SPECIFIED
LEADING DIMENSIONS ARE INCHES
DIMENSIONS IN [] ARE MILLIMETERS

TOLERANCES:
X = ± 2 [5.08] | FRACTIONS ± 1/32
.XX = ± 0.02 [.51] | ANGLES ± 1°
.XXX = ± 0.005 [.13]

CABLE LENGTH (L) TOLERANCES:
L ≤ 12 [305] = +1 [25] / -0
12 [305] < L ≤ 60 [1524] = +2 [51] / -0
60 [1524] < L ≤ 120 [3048] = +4 [102] / -0
120 [3048] < L ≤ 300 [7620] = +6 [152] / -0
300 [7620] < L = +5%L / -0

ALL DIMENSIONS SHOWN
ARE FOR REFERENCE ONLY.

NavePoint
an INFINIT® brand

859 E. Park Avenue, Libertyville, IL 60048
Phone: 1.800.505.1363
Website: www.navepoint.com
E-mail: sales@navepoint.com

SIZE A	CAGE CODE 7UTA6	DRAWN BY SLI	ITEM NO. 00406502	REV A
-----------	--------------------	-----------------	----------------------	----------

THIRD-ANGLE PROJECTION

THE INFORMATION AND DESIGN IN THIS DOCUMENT IS THE PROPERTY OF TRANSECTOR, INC. ALL RIGHTS RESERVED.

SHEET 3 OF 3

SCALE N/A