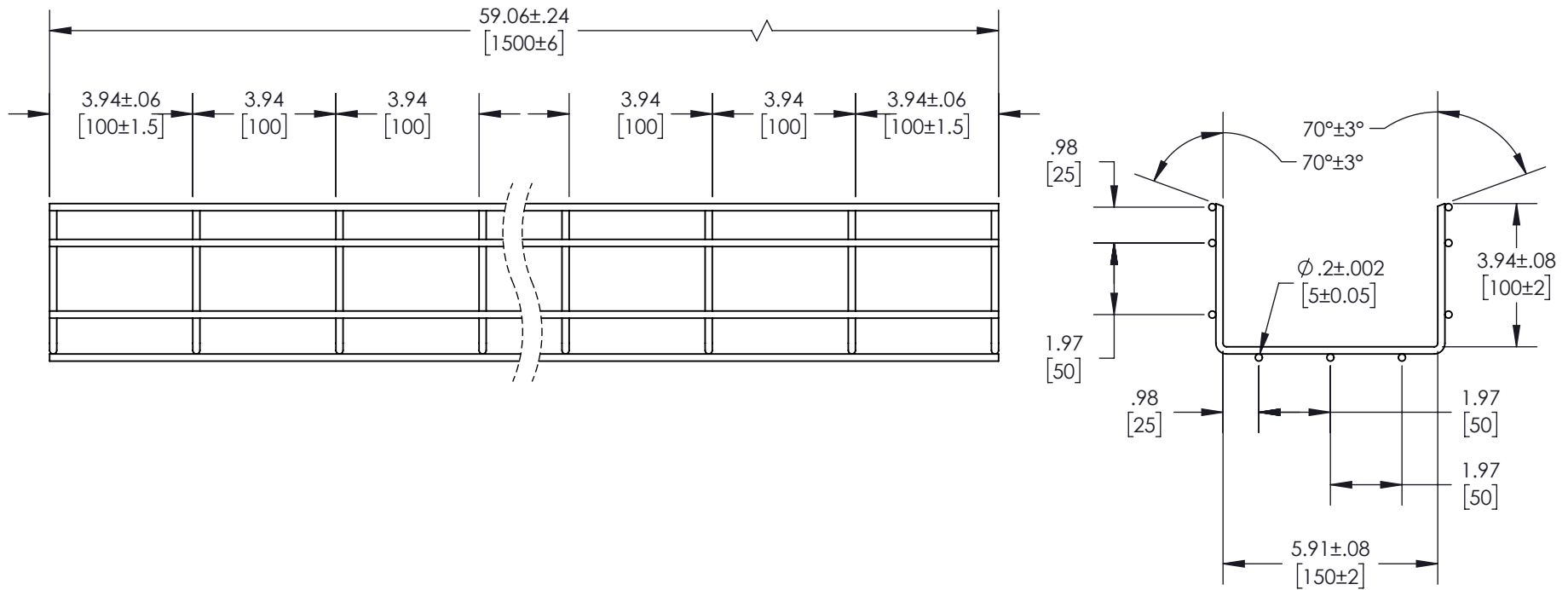


REVISIONS			
REV.	DESCRIPTION	DATE	APPROVED
A	INITIAL RELEASE	2/7/2022	WDIBELLA



NOTES:

- ZINC PLATING THICKNESS: >12µm

THESE COMMODITIES, TECHNOLOGY OR SOFTWARE WERE EXPORTED FROM THE UNITED STATES IN ACCORDANCE WITH THE EXPORT ADMINISTRATION REGULATIONS. DIVERSION CONTRARY TO U.S. LAW PROHIBITED.

UNLESS OTHERWISE SPECIFIED  
LEADING DIMENSIONS ARE INCHES  
DIMENSIONS IN [ ] ARE MILLIMETERS

**TOLERANCES:**

X = ± 2	[5.08]	FRACTIONS
.XX = ± 0.02	[.51]	± 1/32
XXX = ± 0.005	[.13]	ANGLES ± 1°

**CABLE LENGTH (L) TOLERANCES:**

L ≤ 12	[305]	= +1 [25] / -0
12 [305] < L ≤ 60	[1524]	= +2 [51] / -0
60 [1524] < L ≤ 120	[3048]	= +4 [102] / -0
120 [3048] < L ≤ 300	[7620]	= +6 [152] / -0
300 [7620] < L		= +5%L / -0

ALL DIMENSIONS SHOWN  
ARE FOR REFERENCE ONLY.

**NavePoint**  
an INFINIT® brand

859 E. Park Avenue, Libertyville, IL 60048  
Phone: 1.800.505.1363  
Website: www.navepoint.com  
E-mail: sales@navepoint.com

SIZE	CAGE CODE	DRAWN BY	ITEM NO.	REV
A	7UTA6	HBAKKE	00406772	A

THIRD-ANGLE PROJECTION

THE INFORMATION AND  
DESIGN IN THIS DOCUMENT  
IS THE PROPERTY OF  
TRANSECTOR, INC.  
ALL RIGHTS RESERVED.

SHEET	1	OF	1
SCALE	N/A		