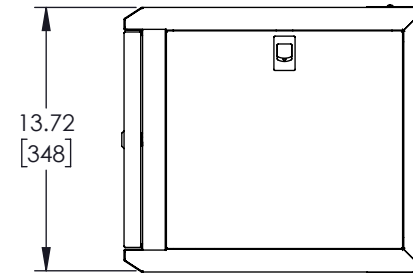
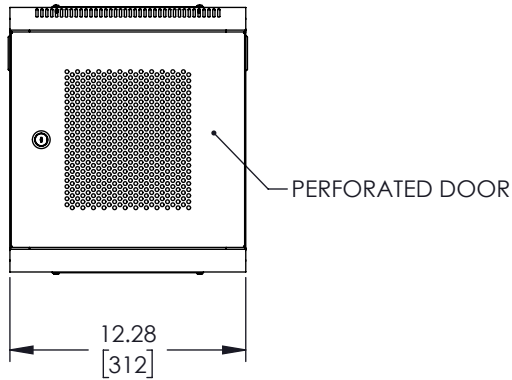
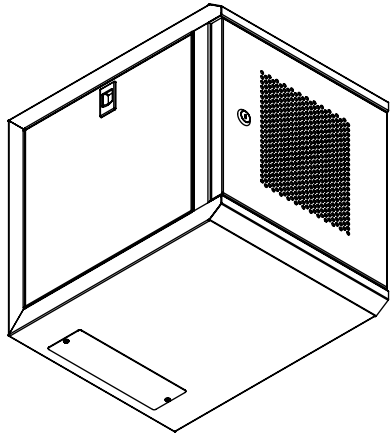
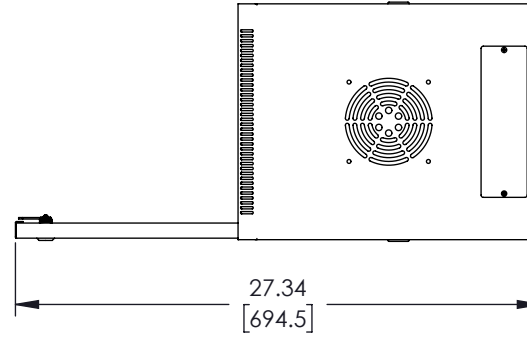
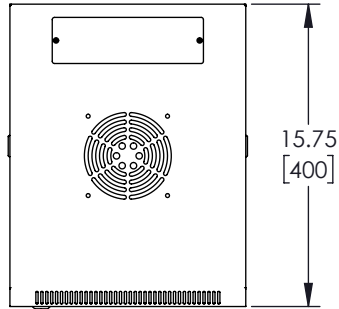
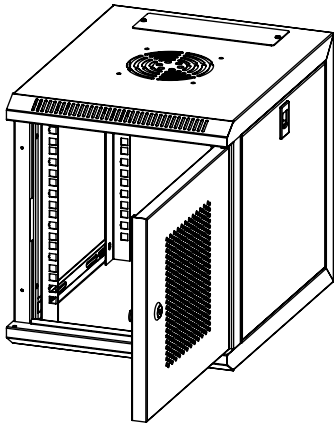


REVISIONS			
REV.	DESCRIPTION	DATE	APPROVED
A	INITIAL RELEASE	05/05/2022	VCHAN



UNLESS OTHERWISE SPECIFIED
LEADING DIMENSIONS ARE INCHES
DIMENSIONS IN [] ARE MILLIMETERS

TOLERANCES:

X = ± 2	[5.08]	FRACTIONS
.XX = ± 0.02	[.51]	± 1/32
.XXX = ± 0.005	[.13]	ANGLES ± 1°

CABLE LENGTH (L) TOLERANCES:

L ≤ 12	[305]	= +1 [25] / -0
12 [305] < L ≤ 60	[1524]	= +2 [51] / -0
60 [1524] < L ≤ 120	[3048]	= +4 [102] / -0
120 [3048] < L ≤ 300	[7620]	= +6 [152] / -0
300 [7620] < L		= +5%L / -0

ALL DIMENSIONS SHOWN
ARE FOR REFERENCE ONLY.

NavePoint
an INFINIT[®] brand

859 E. Park Avenue, Libertyville, IL 60048
Phone: 1.800.505.1363
Website: www.navepoint.com
E-mail: sales@navepoint.com

SIZE	CAGE CODE	DRAWN BY	ITEM NO.
A	7UTA6	DZINN	00406834

THIRD-ANGLE PROJECTION

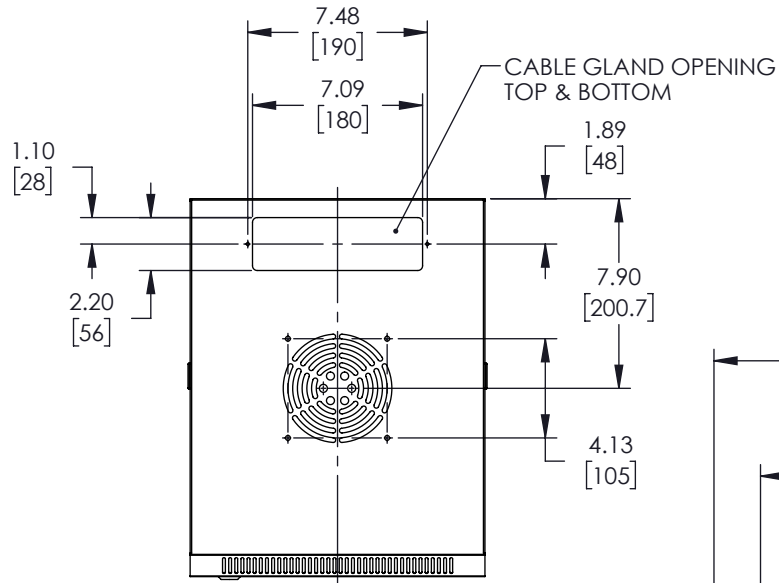
THE INFORMATION AND
DESIGN IN THIS DOCUMENT
IS THE PROPERTY OF
TRANSECTOR, INC.
ALL RIGHTS RESERVED.

SHEET	OF
1	2

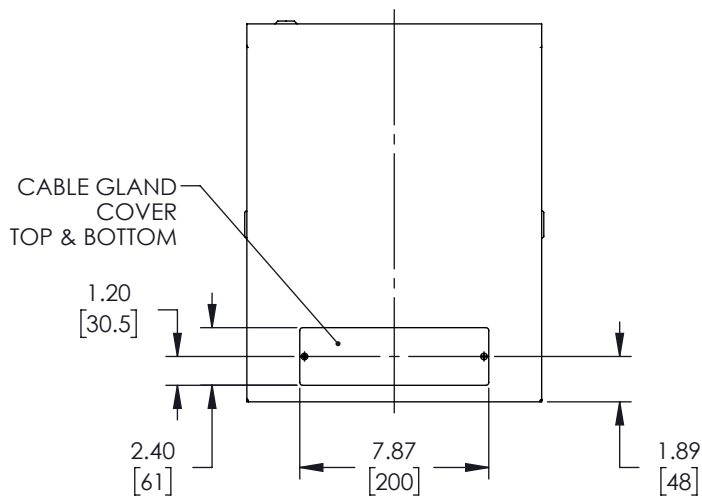
SCALE
N/A

REV
A

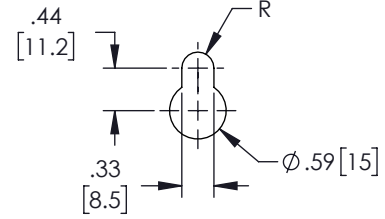
THESE COMMODITIES, TECHNOLOGY OR SOFTWARE WERE EXPORTED FROM THE UNITED STATES IN ACCORDANCE WITH THE EXPORT ADMINISTRATION REGULATIONS. DIVERSION CONTRARY TO U.S. LAW PROHIBITED.



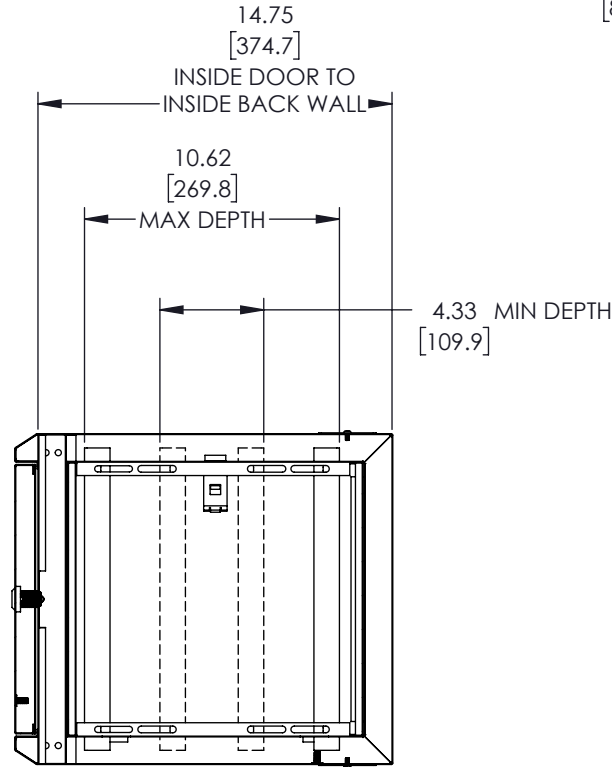
VIEW B-B



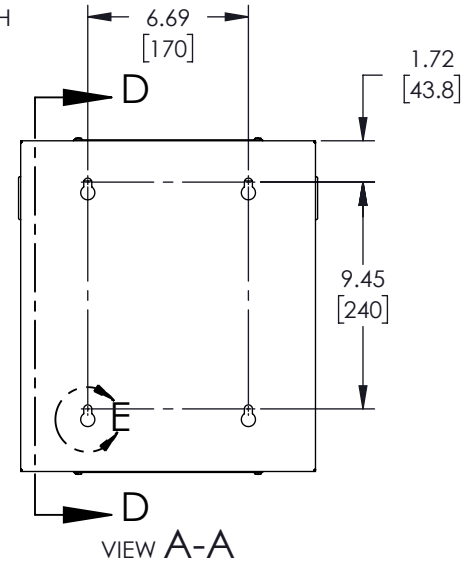
VIEW C-C



DETAIL E



SECTION D-D



VIEW A-A

THESE COMMODITIES, TECHNOLOGY OR SOFTWARE WERE EXPORTED FROM THE UNITED STATES IN ACCORDANCE WITH THE EXPORT ADMINISTRATION REGULATIONS. DIVERSION CONTRARY TO U.S. LAW PROHIBITED.

UNLESS OTHERWISE SPECIFIED LEADING DIMENSIONS ARE INCHES DIMENSIONS IN [] ARE MILLIMETERS

TOLERANCES:
 X = ± .2 [5.08] FRACTIONS
 .XX = ± .02 [.51] ± 1/32
 .XXX = ± .005 [.13] ANGLES ± 1°

CABLE LENGTH (L) TOLERANCES:
 L ≤ 12 [305] = +1 [25] / -0
 12 [305] < L ≤ 60 [1524] = +2 [51] / -0
 60 [1524] < L ≤ 120 [3048] = +4 [102] / -0
 120 [3048] < L ≤ 300 [7620] = +6 [152] / -0
 300 [7620] < L = +5%L / -0

ALL DIMENSIONS SHOWN ARE FOR REFERENCE ONLY.



an INFINIT@ brand

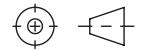
859 E. Park Avenue, Libertyville, IL 60048

Phone: 1.800.505.1363

Website: www.navepoint.com

E-mail: sales@navepoint.com

THIRD-ANGLE PROJECTION



THE INFORMATION AND DESIGN IN THIS DOCUMENT IS THE PROPERTY OF TRANSECTOR, INC. ALL RIGHTS RESERVED.

SHEET 2 OF 2

SCALE N/A

SIZE A	CAGE CODE 7UTA6	DRAWN BY DZINN	ITEM NO. 00406834	REV A
-----------	--------------------	-------------------	----------------------	----------