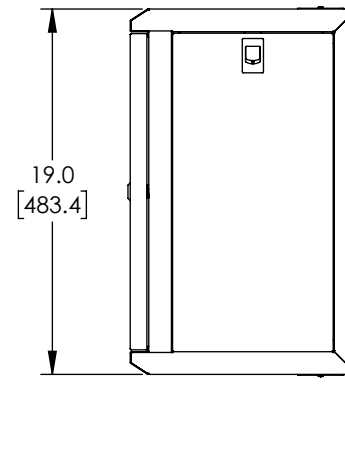
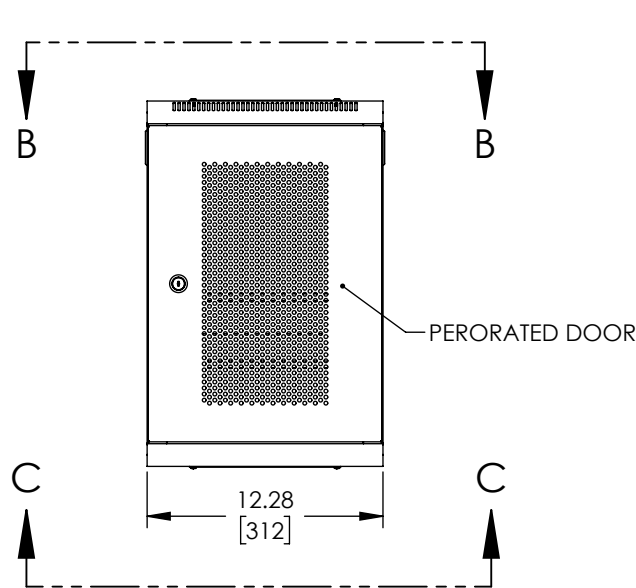
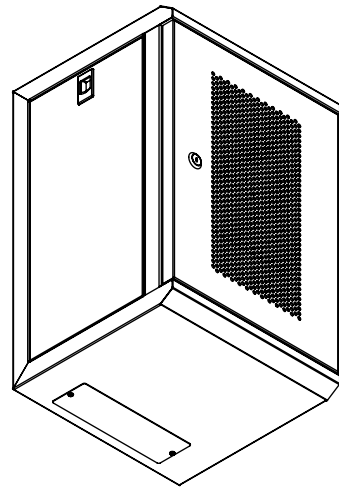
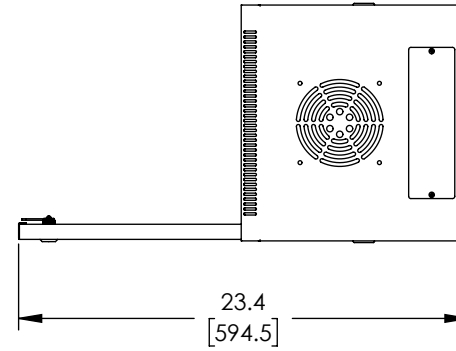
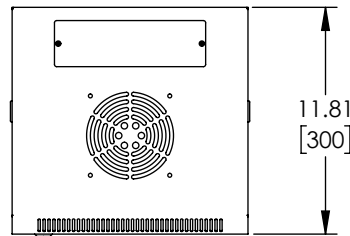
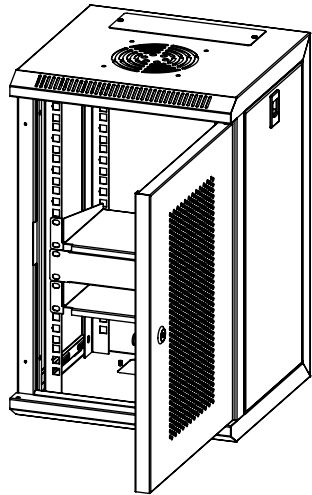


REVISIONS			
REV.	DESCRIPTION	DATE	APPROVED
A	INITIAL RELEASE	04/28/2022	VCHAN



UNLESS OTHERWISE SPECIFIED  
LEADING DIMENSIONS ARE INCHES  
DIMENSIONS IN [ ] ARE MILLIMETERS

TOLERANCES:

X = ± 2	[5.08]	FRACTIONS
.XX = ± 0.02	[.51]	± 1/32
XXX = ± 0.005	[.13]	ANGLES ± 1°

CABLE LENGTH (L) TOLERANCES:

L ≤ 12	[305]	= +1 [25] / -0
12 [305] < L ≤ 60	[1524]	= +2 [51] / -0
60 [1524] < L ≤ 120	[3048]	= +4 [102] / -0
120 [3048] < L ≤ 300	[7620]	= +6 [152] / -0
300 [7620] < L		= +5%L / -0

ALL DIMENSIONS SHOWN  
ARE FOR REFERENCE ONLY.



**an INFINIT® brand**  
859 E. Park Avenue, Libertyville, IL 60048  
Phone: 1.800.505.1363  
Website: www.navepoint.com  
E-mail: sales@navepoint.com

THIRD-ANGLE PROJECTION

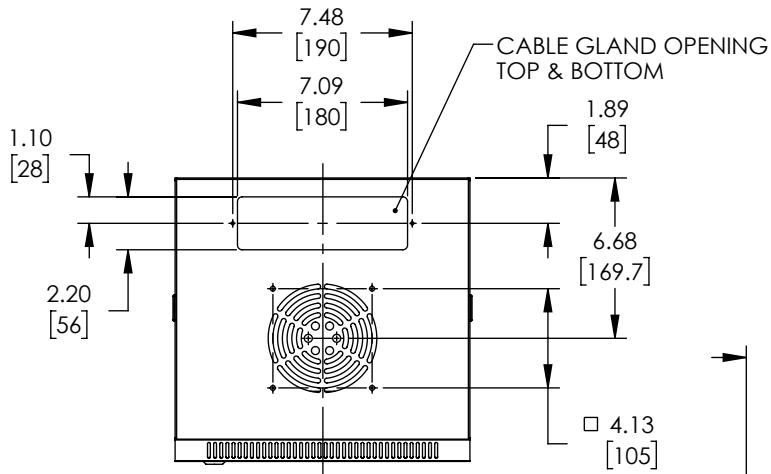
THE INFORMATION AND  
DESIGN IN THIS DOCUMENT  
IS THE PROPERTY OF  
TRANSECTOR, INC.  
ALL RIGHTS RESERVED.

SHEET 1 OF 2

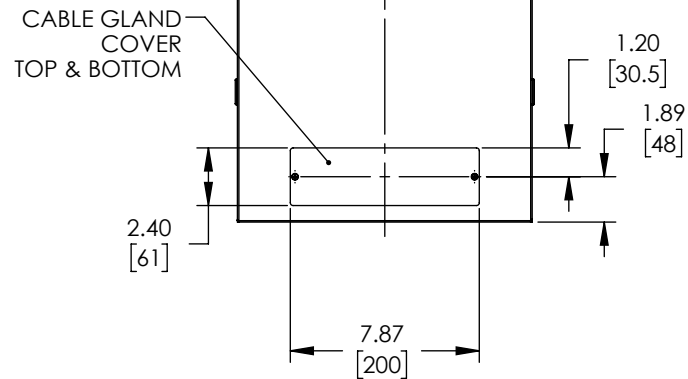
SCALE N/A

SIZE A	CAGE CODE 7UTA6	DRAWN BY DZINN	ITEM NO. 00406852	REV A
-----------	--------------------	-------------------	----------------------	----------

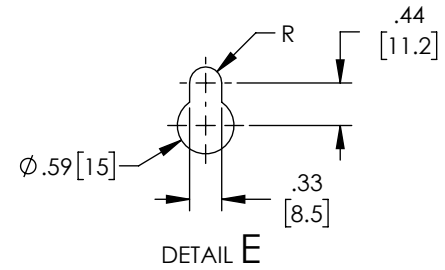
THESE COMMODITIES, TECHNOLOGY OR SOFTWARE WERE EXPORTED FROM THE UNITED STATES IN ACCORDANCE WITH THE EXPORT ADMINISTRATION REGULATIONS. DIVERSION CONTRARY TO U.S. LAW PROHIBITED.



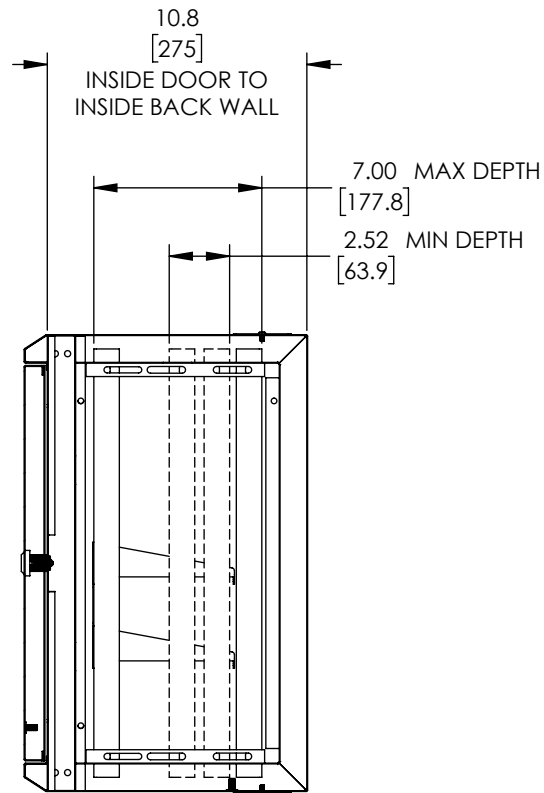
VIEW B-B



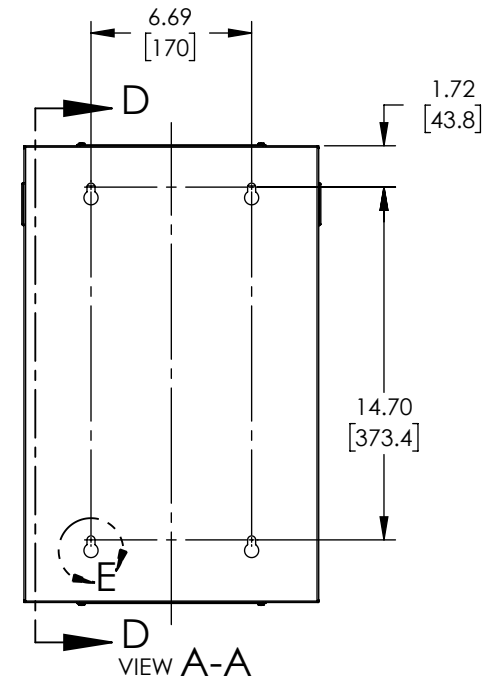
VIEW C-C



DETAIL E



SECTION D-D



VIEW A-A

THESE COMMODITIES, TECHNOLOGY OR SOFTWARE WERE EXPORTED FROM THE UNITED STATES IN ACCORDANCE WITH THE EXPORT ADMINISTRATION REGULATIONS. DIVERSION CONTRARY TO U.S. LAW PROHIBITED.

UNLESS OTHERWISE SPECIFIED  
LEADING DIMENSIONS ARE INCHES  
DIMENSIONS IN [ ] ARE MILLIMETERS

TOLERANCES:  
X = ± .2 [5.08] | FRACTIONS ± 1/32  
.XX = ± .02 [.51] | ANGLES ± 1°  
XXX = ± .005 [.13]

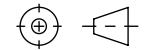
CABLE LENGTH (L) TOLERANCES:  
L ≤ 12 [305] = +1 [25] / -0  
12 [305] < L ≤ 60 [1524] = +2 [51] / -0  
60 [1524] < L ≤ 120 [3048] = +4 [102] / -0  
120 [3048] < L ≤ 300 [7620] = +6 [152] / -0  
300 [7620] < L = +5%L / -0

ALL DIMENSIONS SHOWN  
ARE FOR REFERENCE ONLY.

**NavePoint**  
an INFINIT® brand

859 E. Park Avenue, Libertyville, IL 60048  
Phone: 1.800.505.1363  
Website: www.navepoint.com  
E-mail: sales@navepoint.com

THIRD-ANGLE PROJECTION



THE INFORMATION AND  
DESIGN IN THIS DOCUMENT  
IS THE PROPERTY OF  
TRANSECTOR, INC.  
ALL RIGHTS RESERVED.

SHEET 2 OF 2

SCALE N/A

SIZE A	CAGE CODE 7UTA6	DRAWN BY DZINN	ITEM NO. 00406852	REV A
-----------	--------------------	-------------------	----------------------	----------