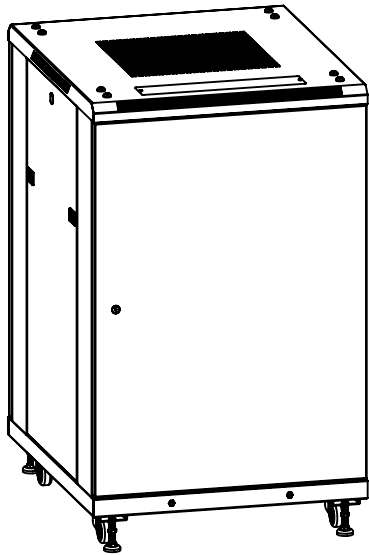
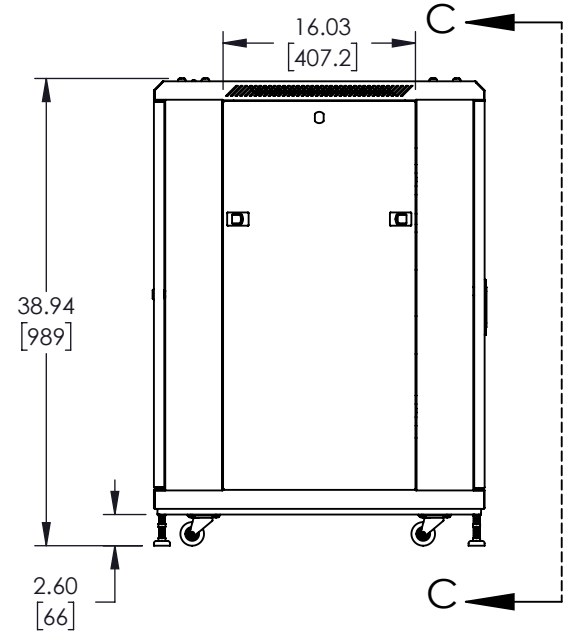
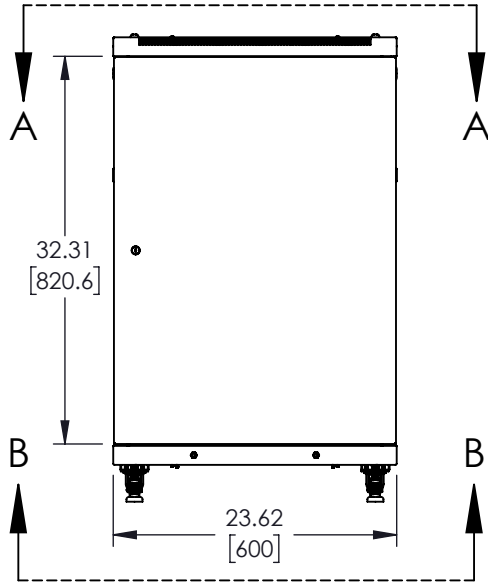
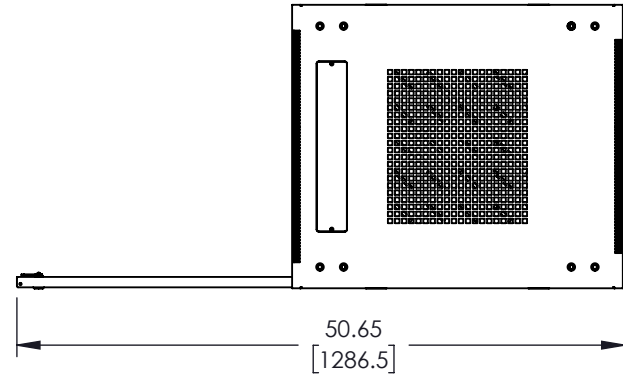
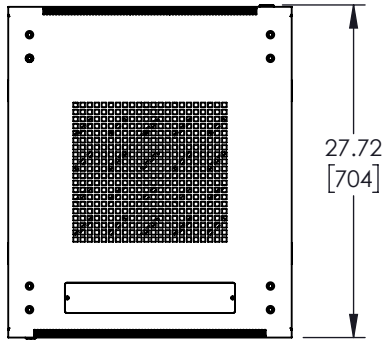
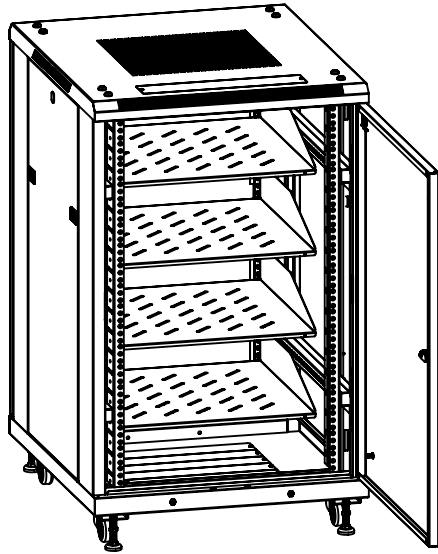


REVISIONS			
REV.	DESCRIPTION	DATE	APPROVED
A	INITIAL RELEASE	04/29/2022	WDIBELLA



UNLESS OTHERWISE SPECIFIED  
LEADING DIMENSIONS ARE INCHES  
DIMENSIONS IN [ ] ARE MILLIMETERS

TOLERANCES:  
 X = ±.2 [5.08]    FRACTIONS ± 1/32  
 .XX = ±.02 [.51]    ANGLES ± 1°  
 .XXX = ±.005 [.13]

CABLE LENGTH (L) TOLERANCES:  
 L ≤ 12 [305] = +1 [25] / -0  
 12 [305] < L ≤ 60 [1524] = +2 [51] / -0  
 60 [1524] < L ≤ 120 [3048] = +4 [102] / -0  
 120 [3048] < L ≤ 300 [7620] = +6 [152] / -0  
 300 [7620] < L = +5%L / -0

ALL DIMENSIONS SHOWN  
ARE FOR REFERENCE ONLY.

**NavePoint**  
an INFINIT® brand

859 E. Park Avenue, Libertyville, IL 60048  
 Phone: 1.800.505.1363  
 Website: www.navepoint.com  
 E-mail: sales@navepoint.com

SIZE	CAGE CODE	DRAWN BY	ITEM NO.
A	7UTA6	WZHANG	00406949

THIRD-ANGLE PROJECTION

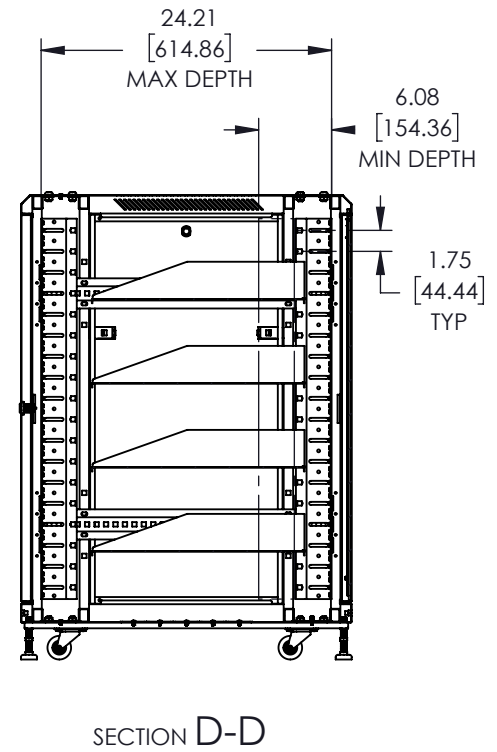
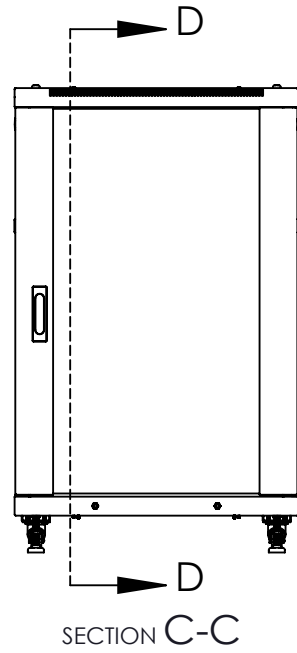
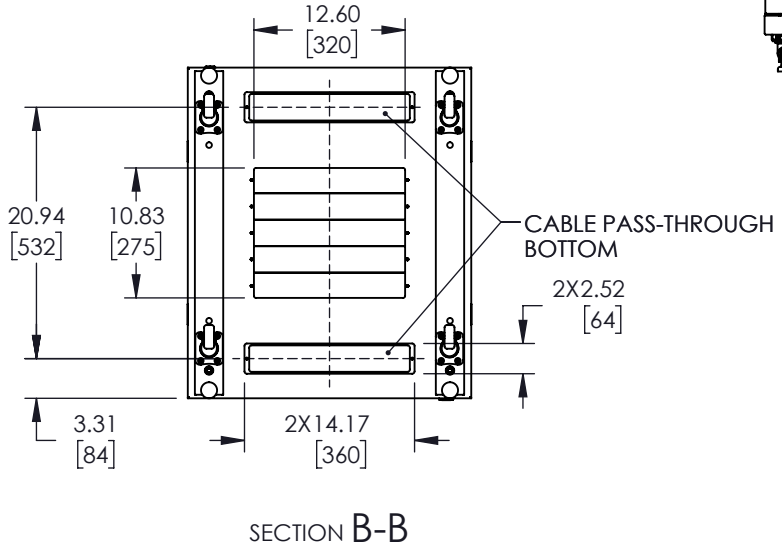
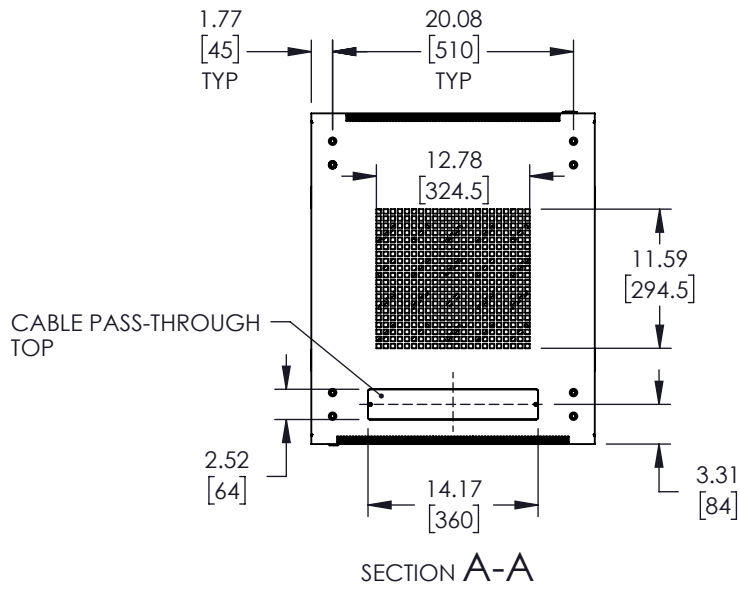
THE INFORMATION AND DESIGN IN THIS DOCUMENT IS THE PROPERTY OF TRANSECTOR, INC. ALL RIGHTS RESERVED.

SHEET	OF
1	2

SCALE: N/A

REV	A
-----	---

THESE COMMODITIES, TECHNOLOGY OR SOFTWARE WERE EXPORTED FROM THE UNITED STATES IN ACCORDANCE WITH THE EXPORT ADMINISTRATION REGULATIONS. DIVERSION CONTRARY TO U.S. LAW PROHIBITED.



THESE COMMODITIES, TECHNOLOGY OR SOFTWARE WERE EXPORTED FROM THE UNITED STATES IN ACCORDANCE WITH THE EXPORT ADMINISTRATION REGULATIONS. DIVERSION CONTRARY TO U.S. LAW PROHIBITED.

UNLESS OTHERWISE SPECIFIED LEADING DIMENSIONS ARE INCHES DIMENSIONS IN [ ] ARE MILLIMETERS

TOLERANCES:

X = ± 2	[5.08]	FRACTIONS
.XX = ± 0.02	[.51]	± 1/32
XXX = ± 0.005	[.13]	ANGLES ± 1°

CABLE LENGTH (L) TOLERANCES:

L ≤ 12	[305]	= +1 [25] / -0
12 [305] < L ≤ 60	[1524]	= +2 [51] / -0
60 [1524] < L ≤ 120	[3048]	= +4 [102] / -0
120 [3048] < L ≤ 300	[7620]	= +6 [152] / -0
300 [7620] < L		= +5%L / -0

ALL DIMENSIONS SHOWN ARE FOR REFERENCE ONLY.

**NavePoint**  
an INFINIT@ brand

859 E. Park Avenue, Libertyville, IL 60048  
Phone: 1.800.505.1363  
Website: www.navepoint.com  
E-mail: sales@navepoint.com

SIZE	CAGE CODE	DRAWN BY	ITEM NO.	REV
A	7UTA6	WZHANG	00406949	A

THIRD-ANGLE PROJECTION

THE INFORMATION AND DESIGN IN THIS DOCUMENT IS THE PROPERTY OF TRANSECTOR, INC. ALL RIGHTS RESERVED.

SHEET	OF
2	2
SCALE	N/A