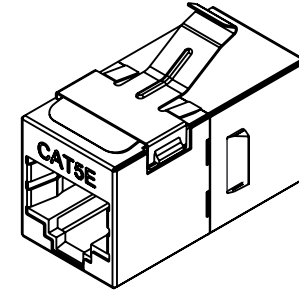
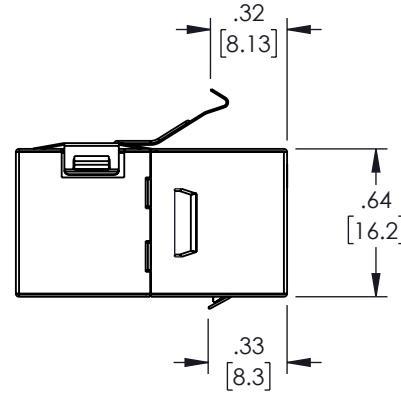
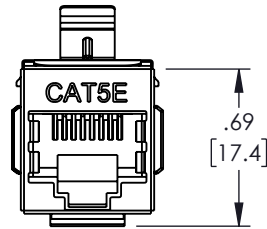
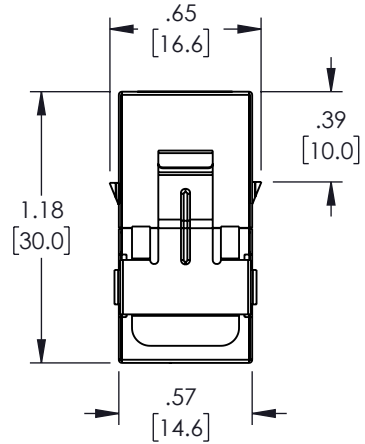


THE INFORMATION CONTAINED IN THIS DRAWING IS THE SOLE PROPERTY OF NAVEPOINT, INC. ANY REPRODUCTION IN PART OR WHOLE WITHOUT THE WRITTEN PERMISSION OF L-COM, INC. IS PROHIBITED.

REVISIONS			
REV	DESCRIPTION	DATE	APPROVED
A	INITIAL RELEASE	7/13/2022	DGUITADAURO




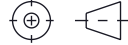
**NOTES:**

1. CAT5E SHIELDED RJ45-RJ45 INLINE COUPLER
2. COLOUR: METAL COLOR
3. REACH COMPLIANT
- ELECTRICAL:**
4. CONTACT RESISTANCE: 20m OHM
5. INSULATION RESISTANCE: <=100M OHM @100VDC
6. WITHSTAND VOLTAGE: DC1000V AC700V RMS 60Hz, IMIN
7. CAT5E PERMANENT LINK: CONFORM TO ANSI/TIA/EIA 568B. 2-10
- ENVIRONMENTAL:**
8. STORAGE: -40°/ +70°
9. OPERATION: -10°/ +60°
- MECHANICAL:**
10. SHIELDED MATERIAL: COPPER SHELL
11. PLASTIC MATERIAL: NEW PC
12. GOLD PINS: PHOSPHOR BRONZE, GOLD PLATING 3U"
13. TERMINAL PINS: PHOSPHOR BRONZE, ZINC PLATING
14. RJ45 CONTACT LIFE: 750 TIMES MIN
15. IDC TERMINAL LIFE: 250 TIMES MIN

**REGULATORY COMPLIANCE:**

EU RoHS DIRECTIVE (MOST RECENT RELEASED VERSION)

MODEL NUMBER	DESCRIPTION
00407089	CAT5E FTP INLINE COUPLER, 10 PACK, SHIELDED
00407090	CAT5E FTP INLINE COUPLER, 15 PACK, SHIELDED
00407091	CAT5E FTP INLINE COUPLER, 25 PACK, SHIELDED

UNLESS OTHERWISE SPECIFIED, DIMENSIONS ARE IN INCHES [mm] OVERALL CABLE LENGTH TOLERANCE: ≤12 [305] = +1 [25] / -0 >12 [305] ≤60 [1524] = +2 [51] / -0 >60 [1524] ≤120 [3048] = +4 [102] / -0 >120 [3048] ≤300 [7620] = +6 [152] / -0 >300 [7620] = +5% / -0 ALL OTHER DIMENSIONAL TOLERANCES: .X = ± .2 [5]   FRACTIONS ± 1/32 .XX = ± .02 [5]   ANGLES ± 1° .XXX = ± .005 [1.3]	APPROVALS	DATE	 859 E. Park Avenue, Libertyville, IL 60048 USA. Phone: 1.800.505.1363
	DRAWN BY DMAY	7/13/2022	
THIRD-ANGLE PROJECTION 	CHECKED BY HBAKKE	07/13/2022	CATEGORY TELECOM/MODULAR
	APPROVED BY DGUITADAURO	07/14/2022	PRODUCT DESCRIPTION CAT5E FTP INLINE COUPLER, 5 PACK, SHIELDED
	CONFIGURATION DETAILS OF UNDIMENSIONED FEATURES MAY VARY		
	COLOR VARIATIONS MAY OCCUR	SIZE <b>A</b>	CAGE CODE <b>7UTA6</b>
		ITEM NO. 810100703288	REV. <b>A</b>
		SCALE: NONE	CAD FILE: 810100703288.SLDDRW
			SHEET 1 OF 1