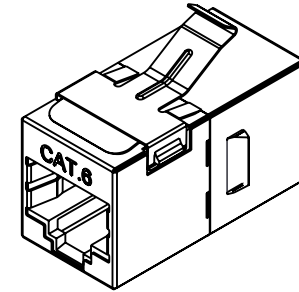
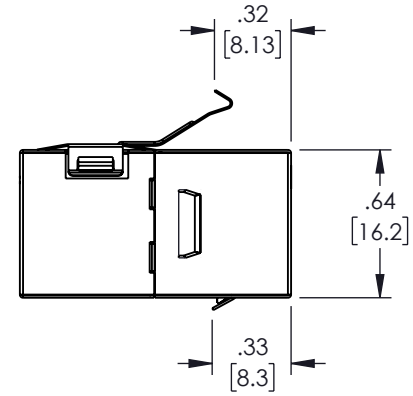
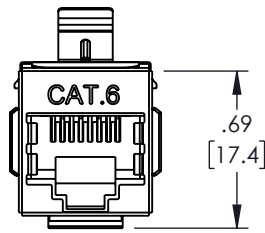
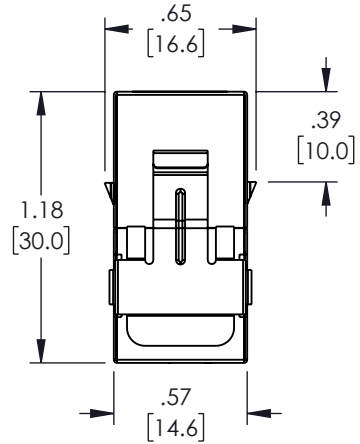


THE INFORMATION CONTAINED IN THIS DRAWING IS THE SOLE PROPERTY OF NAVEPOINT, INC. ANY REPRODUCTION IN PART OR WHOLE WITHOUT THE WRITTEN PERMISSION OF L-COM, INC. IS PROHIBITED.

REVISIONS			
REV	DESCRIPTION	DATE	APPROVED
A	INITIAL RELEASE	7/13/2022	DGUITADAURO




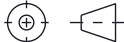
**NOTES:**

1. CAT6 SHIELDED RJ45-RJ45 INLINE COUPLER
2. COLOUR: METAL COLOR
3. REACH COMPLIANT
- ELECTRICAL:**
4. CONTACT RESISTANCE: 20m OHM
5. INSULATION RESISTANCE: <=250M OHM @100VDC
6. WITHSTAND VOLTAGE: DC1000V AC700V RMS 60Hz, IMIN
7. CAT6 PERMANENT LINK: CONFORM TO ANSI/TIA/EIA 568B. 2-10
- ENVIRONMENTAL:**
8. STORAGE: -40°/+70°
9. OPERATION: -10°/+60°
- MECHANICAL:**
10. SHIELDED MATERIAL: COPPER SHELL
11. PLASTIC MATERIAL: NEW PC
12. GOLD PINS: PHOSPHOR BRONZE, GOLD PLATING 3U"
13. TERMINAL PINS: PHOSPHOR BRONZE, ZINC PLATING
14. RJ45 CONTACT LIFE: 750 TIMES MIN
15. IDC TERMINAL LIFE: 250 TIMES MIN

**REGULATORY COMPLIANCE:**

EU RoHS DIRECTIVE (MOST RECENT RELEASED VERSION)

MODEL NUMBER	DESCRIPTION
00407092	CAT6 FTP INLINE COUPLER, 10 PACK, SHIELDED
00407093	CAT6 FTP INLINE COUPLER, 15 PACK, SHIELDED
00407094	CAT6 FTP INLINE COUPLER, 25 PACK, SHIELDED

UNLESS OTHERWISE SPECIFIED, DIMENSIONS ARE IN INCHES [mm] OVERALL CABLE LENGTH TOLERANCE: ≤12 [305] = +1 [25] / -0 >12 [305] ≤60 [1524] = +2 [51] / -0 >60 [1524] ≤120 [3048] = +4 [102] / -0 >120 [3048] ≤300 [7620] = +6 [152] / -0 >300 [7620] = +5% / -0 ALL OTHER DIMENSIONAL TOLERANCES: .X = ± .2 [5]   FRACTIONS ± 1/32 .XX = ± .02 [.5]   ANGLES ± 1° .XXX = ± .005 [.13]	APPROVALS	DATE	 an INFINIT® brand 859 E. Park Avenue, Libertyville, IL 60048 USA. Phone: 1.800.505.1363
	DRAWN BY DMAY CHECKED BY HBAKKE APPROVED BY DGUITADAURO	7/13/2022	
THIRD-ANGLE PROJECTION	CONFIGURATION DETAILS OF UNDIMENSIONED FEATURES MAY VARY	CATEGORY	TELECOM/MODULAR
	COLOR VARIATIONS MAY OCCUR	PRODUCT DESCRIPTION	CAT6 FTP INLINE COUPLER, 5 PACK, SHIELDED
SIZE <b>A</b> SCALE: NONE	CAGE CODE <b>7UTA6</b>	ITEM NO. <b>810100703295</b>	REV. <b>A</b>
CAD FILE: 810100703295.SLDDRW		SHEET 1 OF 1	