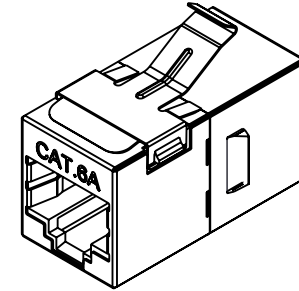
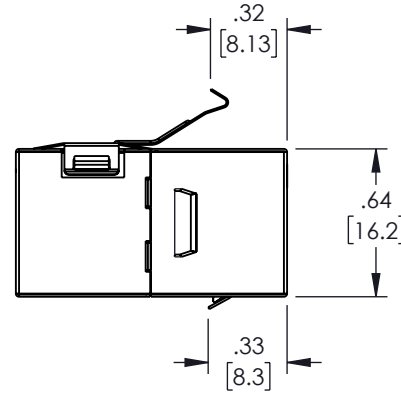
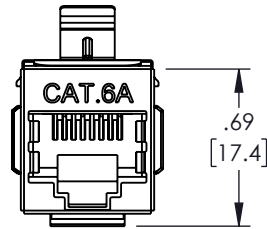
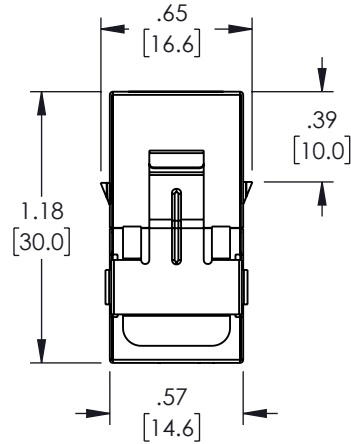


THE INFORMATION CONTAINED IN THIS DRAWING IS THE SOLE PROPERTY OF NAVEPOINT, INC. ANY REPRODUCTION IN PART OR WHOLE WITHOUT THE WRITTEN PERMISSION OF L-COM, INC. IS PROHIBITED.

REVISIONS			
REV	DESCRIPTION	DATE	APPROVED
A	INITIAL RELEASE	7/13/2022	DGUITADAURO




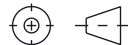
NOTES:

- CAT6A SHIELDED RJ45-RJ45 INLINE COUPLER
 - COLOUR: METAL COLOR
 - REACH COMPLIANT
- ELECTRICAL:**
- CONTACT RESISTANCE: 20m OHM
 - INSULATION RESISTANCE: <=500M OHM @100VDC
 - WITHSTAND VOLTAGE: DC1000V AC700V RMS 60Hz, IMIN
 - CAT6A PERMANENT LINK: CONFORM TO ANSI/TIA/EIA 568B. 2-10
- ENVIRONMENTAL:**
- STORAGE: -40°/+70°
 - OPERATION: -10°/+60°
- MECHANICAL:**
- SHIELDED MATERIAL: COPPER SHELL
 - PLASTIC MATERIAL: NEW PC
 - GOLD PINS: PHOSPHOR BRONZE, GOLD PLATING 3U"
 - TERMINAL PINS: PHOSPHOR BRONZE, ZINC PLATING
 - RJ45 CONTACT LIFE: 750 TIMES MIN
 - IDC TERMINAL LIFE: 250 TIMES MIN

REGULATORY COMPLIANCE:

EU RoHS DIRECTIVE (MOST RECENT RELEASED VERSION)

MODEL NUMBER	DESCRIPTION
00407095	CAT6A FTP INLINE COUPLER, 10 PACK, SHIELDED
00407096	CAT6A FTP INLINE COUPLER, 15 PACK, SHIELDED
00407097	CAT6A FTP INLINE COUPLER, 25 PACK, SHIELDED

UNLESS OTHERWISE SPECIFIED, DIMENSIONS ARE IN INCHES [mm] OVERALL CABLE LENGTH TOLERANCE: ≤12 [305] = +1 [25] / -0 >12 [305] ≤60 [1524] = +2 [51] / -0 >60 [1524] ≤120 [3048] = +4 [102] / -0 >120 [3048] ≤300 [7620] = +6 [152] / -0 >300 [7620] = +5% / -0 ALL OTHER DIMENSIONAL TOLERANCES: .X = ± .2 [5] FRACTIONS ± 1/32 .XX = ± .02 [.5] ANGLES ± 1° .XXX = ± .005 [.13]	APPROVALS	DATE	 an INFINIT® brand 859 E. Park Avenue, Libertyville, IL 60048 USA. Phone: 1.800.505.1363
	DRAWN BY DMAY	7/13/2022	
THIRD-ANGLE PROJECTION 	CHECKED BY HBAKKE	07/13/2022	CATEGORY TELECOM/MODULAR
	APPROVED BY DGUITADAURO	07/14/2022	PRODUCT DESCRIPTION CAT6A FTP INLINE COUPLER, 5 PACK, SHIELDED
CONFIGURATION DETAILS OF UNDIMENSIONED FEATURES MAY VARY	COLOR VARIATIONS MAY OCCUR	SIZE A	CAGE CODE 7UTA6
		ITEM NO. 810100703301	REV. A
		SCALE: NONE	CAD FILE: 810100703301.SLDDRW
		SHEET 1 OF 1	