

4-Post Racks

Available for Same-Day Shipping!

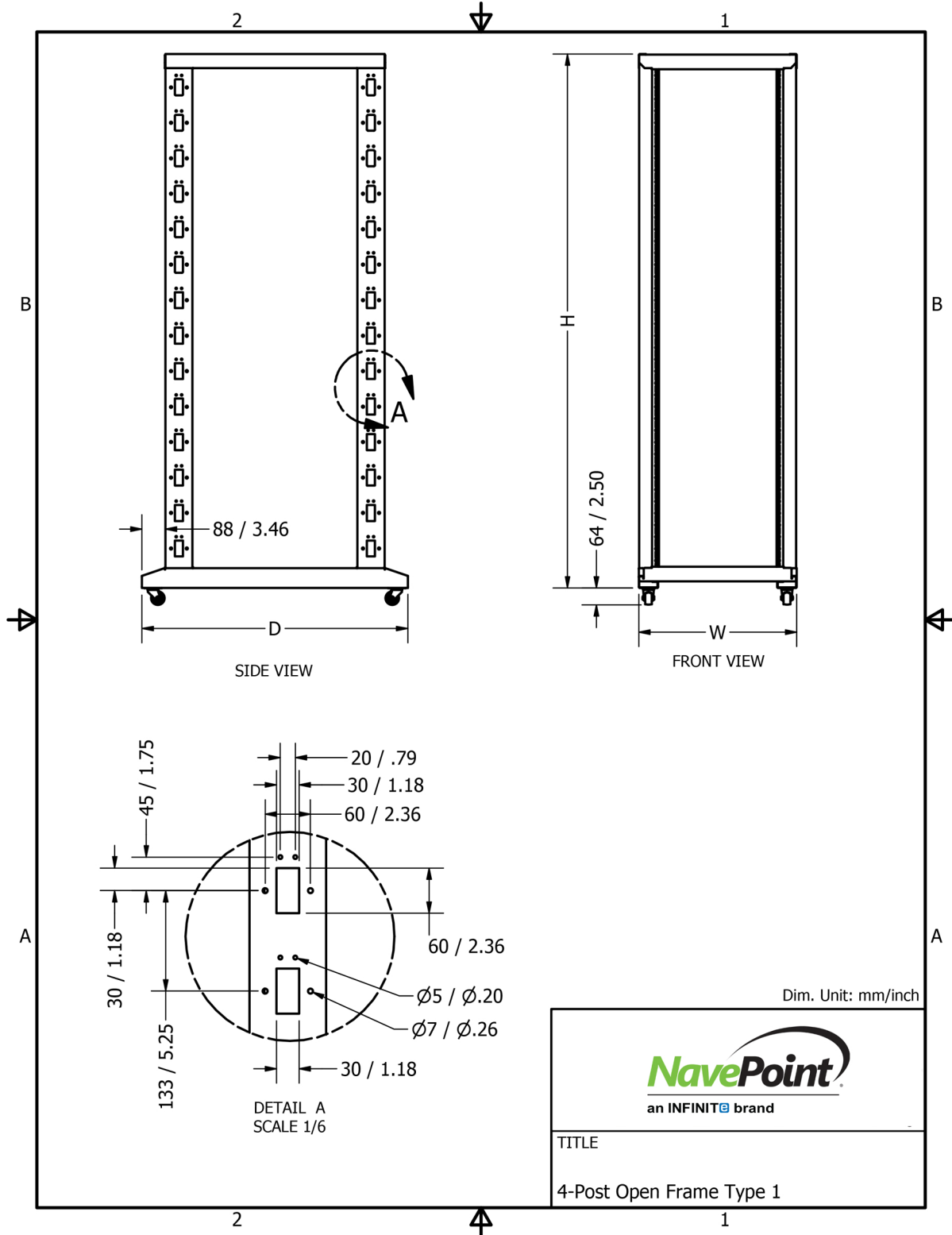


The NavePoint Adjustable 4-post Network Racks have an open frame that's designed for flexibility, allowing you to make the server rack choices that are right for your network build. Made from high quality materials, this product is made to industry specifications, ensuring compatibility with your equipment.

Model / SKU Number	00406269	00406270	00404147	00405926	00405928	00401625	00404148	00405925	00405927	00401626	00406437	00406438	00406135	00406136	
PHYSICAL															
Rack Capacity (in Rack Units)	12U	18U	22U	22U	22U	25U	42U	42U	42U	45U	12U	18U	25U	45U	
Rack Depth (in) * adjustable in 1.5" increments	22-40	22-40	9.45-15.75	11-23.6	15.75-31.5	22-40	9.45-15.75	11-23.6	15.75-31.5	22-40	22-40	22-40	22-40	22-48	
Unit Dimensions (in)	H	26.7	37.21	44.02	44.02	44.02	49.45	79.06	79.06	79.06	84.53	29.7	40.2	49.5	84.53
	W	20.67	20.67	23.31	23.31	23.31	20.67	23.31	23.31	23.31	20.67	20.5	20.5	20.67	20.67
	D	22.5-40.7	22.5-40.7	23.63	31.5	39.38	22.5-40.7	23.63	31.5	39.38	22.5-40.7	22.4-38.4	22.4-38.4	22.5-40.7	22.5-40.7
Weight Capacity (kg / lbs)	600 / 1322	600 / 1322	360 / 793	400 / 881	400 / 881	600 / 1322	360 / 793	400 / 881	400 / 881	600 / 1322	600 / 1322	600 / 1322	600 / 1322	600 / 1322	
Material	Cold Rolled Steel														
Painting / Coating	Black Powder Coating														
Construction	Bolted Assembly														
Rack Hole Type	Square Holes										12-24 Threaded				
ADDITIONAL FEATURES															
Casters / Floor Mount	Includes Casters (Can also Floor Mount)				Floor Mount (Compatible with Casters)	Includes Casters (Can also Floor Mount)				Floor Mount (Compatible with Casters)	Includes Casters (Can also Floor Mount)		Floor Mount (Compatible with Casters)		
Cable Management	Includes Cable Hooks		Available to Purchase			Includes Cable Hooks	Available to Purchase				Includes Cable Hooks				
Equipment Mounting Hardware	(20 Sets) M6 Cage Nuts, Screws, Plastic Washers						(40 Sets) M6 Cage Nuts, Screws, Plastic Washers				(20) 12-24 Screws				
Assembly	Assembly Required														
COMPLIANCE AND CERTIFICATIONS															
EIA/ECA-310-E	✓														
ROHS	✓														
CE	✓														
DIN 41494	✓														
IEC-60297-3-100	✓														
SHIPPING															
Shipping Dimensions (in)	L	28.15	42.1	59.5	60.5	60.25	50	78.5	79.5	79.5	85	28.3	42.35	50.5	85
	W	9.1	6.9	5.5	6.75	6.75	5	5.5	7.25	7.25	5	9.25	7.5	6	6
	H	5.7	5.5	9.75	10.25	10.25	5	9.75	10.5	10.5	5	6.3	5.9	6	6
Shipping Weight (lbs)	39.7	44	57.5	64.9	68.4	55	77.2	86.4	90	71	42.8	45.55	47.15	60.45	

4-Post Racks

Available for Same-Day Shipping!



4-Post Racks

Available for Same-Day Shipping!

